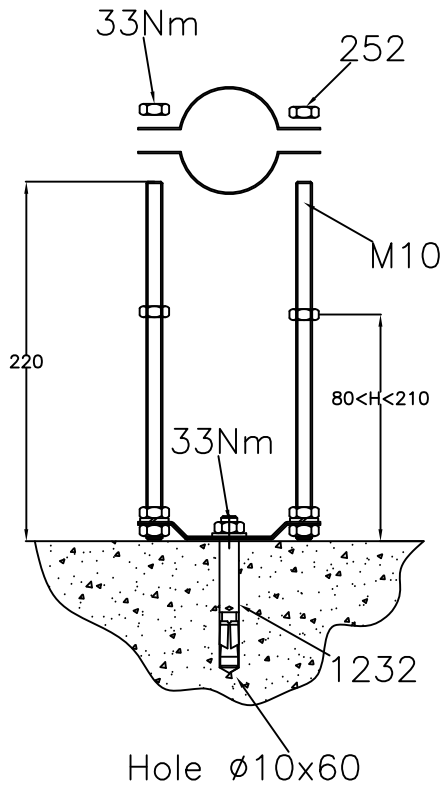
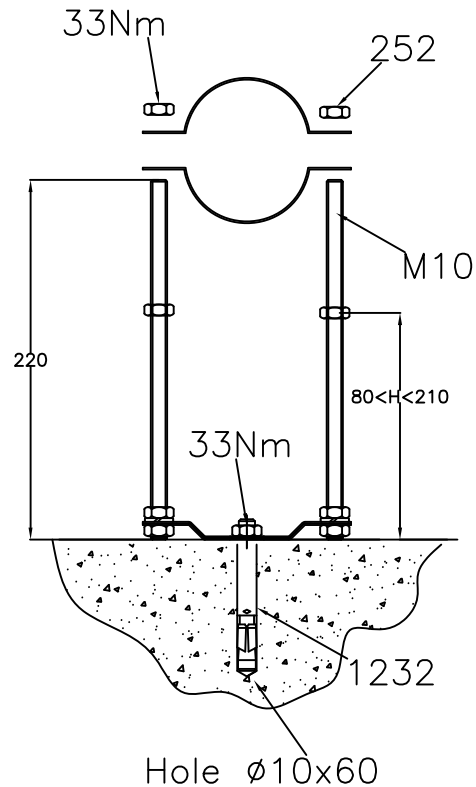


## MOUNTING SUPPORTS

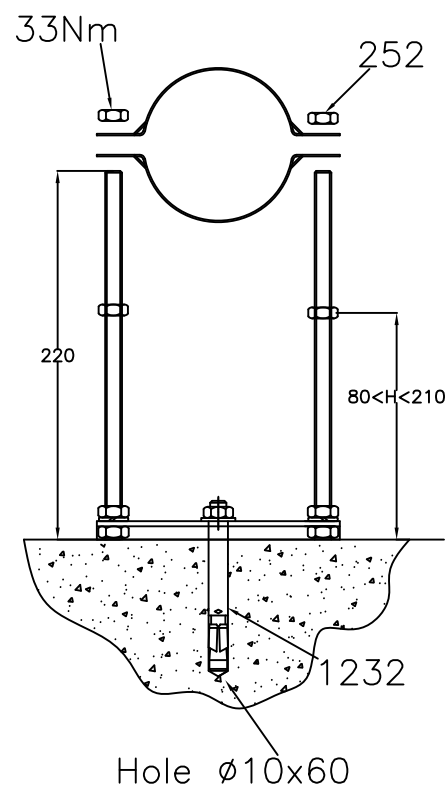
BFR 60.3



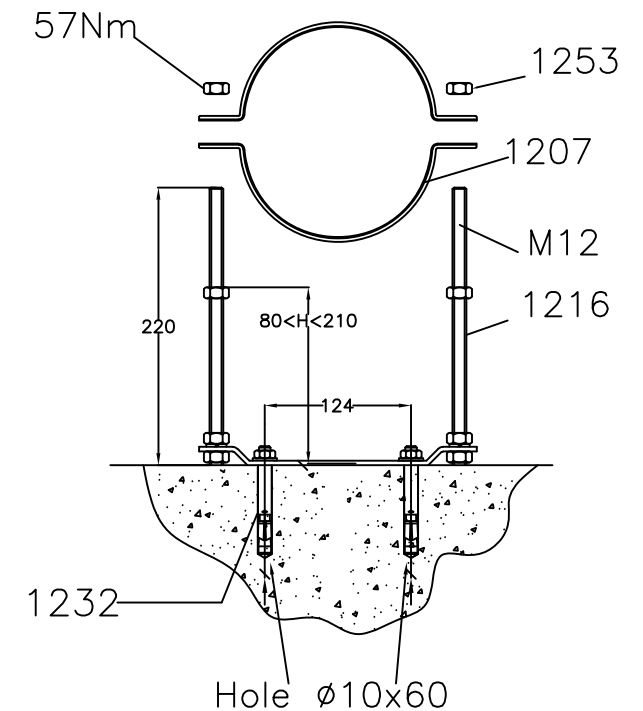
BFR 76.1



BFR 88.9



BFSB 160



NOTE:

- Respect tightening torque
- Respect the exact mounting position of the support (according to mounting drawings)