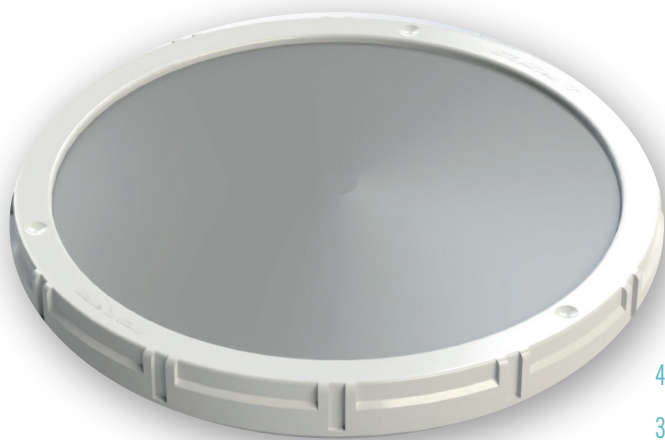
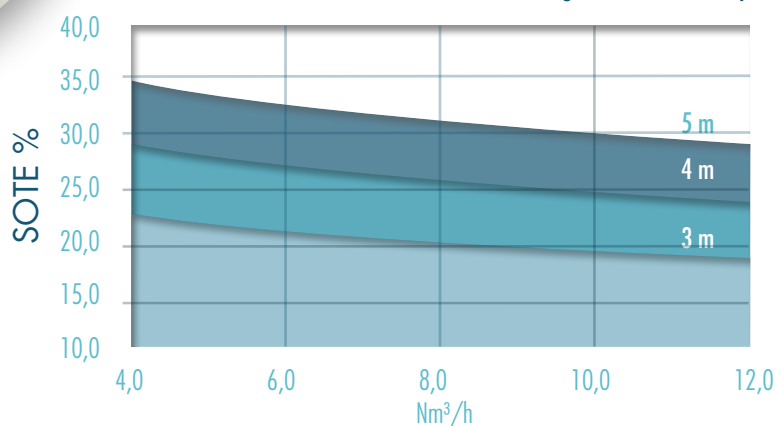


AirTech 12"

12" fine bubbles
disc diffuser with
silicone membrane



Variable according to diffusers density



Dimensions

Code	04039
Outer diameter [mm]	344
Threaded connection	3/4" NPT
Weight [Kg]	1,03

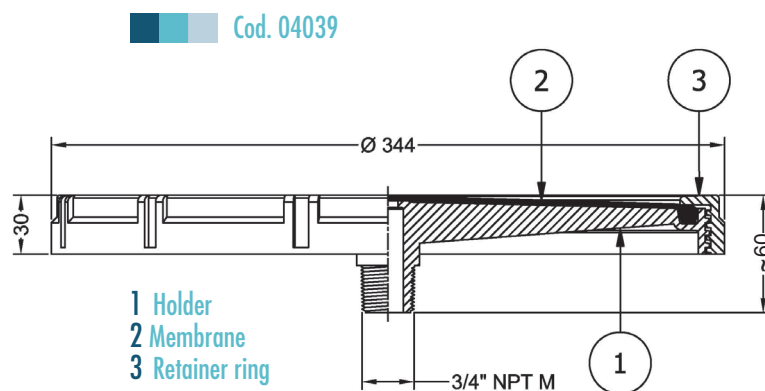
Performance

Code	04039
Minimum airflow [Nm³/h]	2,0
Nominal airflow [Nm³/h]	8,0
Maximum airflow [Nm³/h]	16,0
Design airflow range [Nm³/h]	3,0-13,0
* Head losses [cm w.c.]	36,0

* Head losses are calculated at nominal airflow and 4m submergence

Materials

Code	04039
Membrane	Silicone
Holder	PPGF 30%
Retainer ring	PPGF 30%



Membrane

Code	04039
Number of slits	>5.200
Perforation [mm]	1,2-2,0
Active surface [m²]	0,064
Average thickness [mm]	2,2
Tensile strength [Kg/cm²]	>88
Elongation at break [%]	450
Hardness [Shore A]	70

NOTES

SOTE according to ANSI/ASCE-06 (EN 12255-15)
Tolerances on the thickness $\pm 0,2$ mm
Tensile strenght according to ISO 37 type 1
Elongation at break ISO 37 type 1

Data subject to change without notice

WTE SRL Via Re Depolini,52 • 20015 Parabiago (MI) Italy



Tel. +39 0331 490449 • www.wteitaly.com • info@wteitaly.com